

PLEASE CHECK WWW.MOLEX.COM FOR LATEST PART INFORMATION

Part Number: [0483300001](#)
Status: **Active**
Overview: slimline serial ata odd connectors
Description: 1.00mm (.039"), 1.27mm (.050") Pitch Slimline Serial ATA Receptacle, Right Angle, Reverse SMT with Clip, 0.76µm (30µ") Gold (Au) Plating, Mounted Height: 6.85mm (.270"), Lead free

Documents:

[3D Model](#) [Product Specification PS-48321-001 \(PDF\)](#)
[Drawing \(PDF\)](#) [RoHS Certificate of Compliance \(PDF\)](#)

Agency Certification

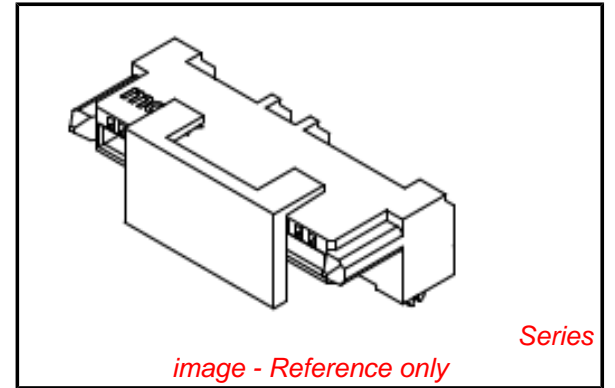
CSA LR19980
 UL E29179

General

Product Family PCB Receptacles
 Series [48330](#)
 Application Board-to-Board
 Comments Reverse SMT Type, with Clip
 Overview [slimline serial ata odd connectors](#)
 Product Name Serial ATA, Slimline Serial ATA

Physical

Circuits (Loaded) 13
 Circuits (maximum) 13
 Color - Resin Black
 Durability (mating cycles max) 500
 Flammability 94V-0
 Glow-Wire Compliant No
 Guide to Mating Part Yes
 Keying to Mating Part Yes
 Lock to Mating Part No
 Material - Metal Phosphor Bronze
 Material - Plating Mating Gold
 Material - Plating Termination Tin
 Material - Resin High Temperature Thermoplastic
 Number of Rows 1
 Orientation Right Angle
 PCB Locator No
 PCB Retention Yes
 Packaging Type Embossed Tape on Reel
 Pitch - Mating Interface (in) 0.039 In, 0.050 In
 Pitch - Mating Interface (mm) 1.00 mm, 1.27 mm
 Pitch - Term. Interface (in) 0.039 In, 0.050 In
 Pitch - Term. Interface (mm) 1.00 mm, 1.27 mm
 Plating min: Mating (µin) 30
 Plating min: Mating (µm) 0.76
 Plating min: Termination (µin) 100
 Plating min: Termination (µm) 2.54
 Polarized to Mating Part Yes
 Polarized to PCB Yes
 Robotic Placement Pick and Place Cap
 Stackable No
 Temperature Range - Operating -40°C to +85°C
 Termination Interface: Style Surface Mount



EU RoHS

**ELV and RoHS
 Compliant**
**REACH SVHC
 Not Reviewed**
**Halogen-Free
 Status**

China RoHS



**Need more information on product
 environmental compliance?**

Email productcompliance@molex.com
 For a multiple part number RoHS Certificate of Compliance, [click here](#)

Please visit the [Contact Us](#) section for any non-product compliance questions.

Search Parts in this Series

[48330Series](#)

Mates With

[473001xxx Slimline Serial ATA Plugs](#)

Electrical

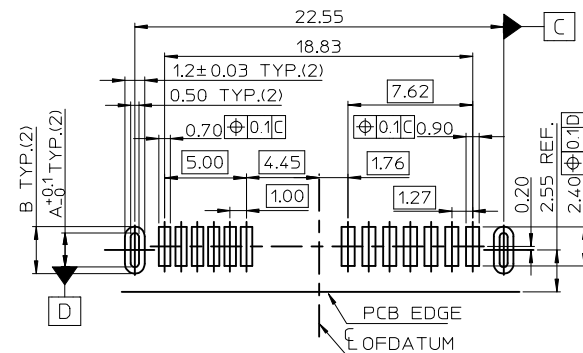
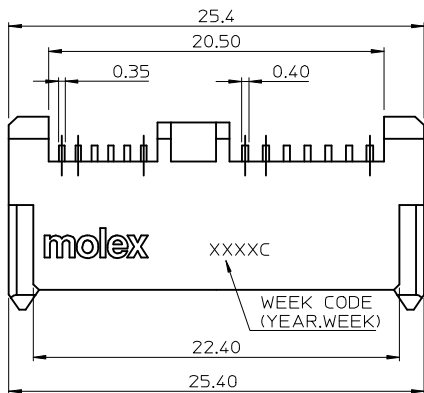
Current - Maximum per Contact	1A
Grounding to PCB	Yes
Voltage - Maximum	15V (RMS)

Material Info**Reference - Drawing Numbers**

Packaging Specification	PK-48330-001
Product Specification	PS-48321-001
Sales Drawing	SD-48330-001
Test Summary	TS-48330-001

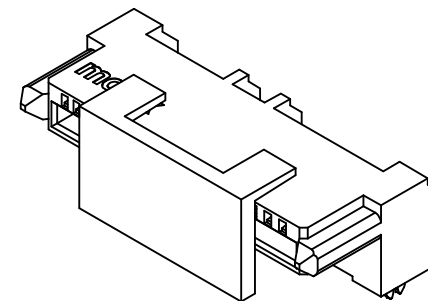
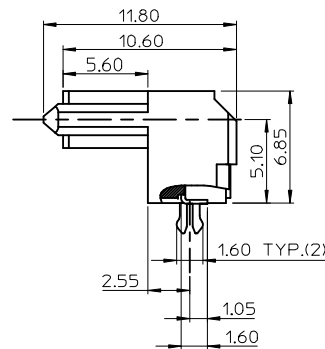
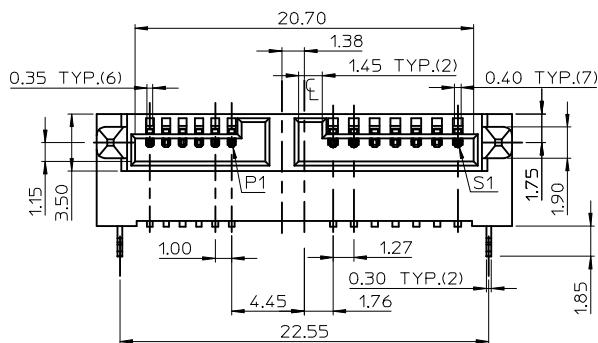
This document was generated on 05/31/2010

PLEASE CHECK WWW.MOLEX.COM FOR LATEST PART INFORMATION



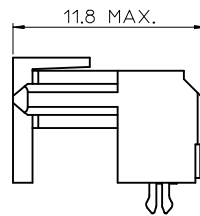
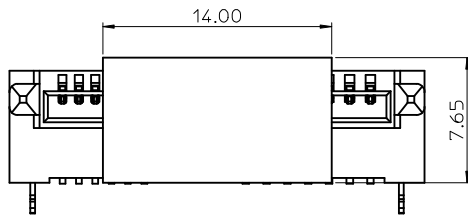
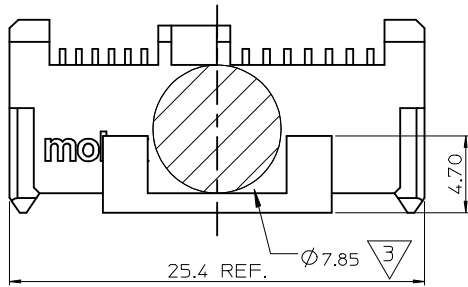
CLIP FUNCTION AVAILABLE		CLIP FUNCTION UNAVAILABLE	
DIM A	DIM B	DIM A	DIM B
1.4	2.1	1.75	2.45

RECOMMENDED PC BOARD LAYOUT
TOLERANCE: ± 0.05mm (TOP VIEW)



NEW RELEASE EC NO: SH2009-0026 DRWN: GWANG08 CHKD: DMZHANG02 APPR: HWANG 2008/12/23 2008/12/23 2009/01/09	DESCRIPTION REV	QUALITY SYMBOLS ▽=0 ◻=0	GENERAL TOLERANCES (UNLESS SPECIFIED)		DIMENSION STYLE MM ONLY		SCALE	DESIGN UNITS METRIC	THIRD ANGLE PROJECTION
			4 PLACES ± --- ± ---	mm INCH	DRAWN BY LINDA	DATE 2007/10/23	TITLE SLIMLINE SATA RECEPTACLE REVERSE SMT WITH CLIP		
			3 PLACES ± --- ± ---	2 PLACES ± 0.25 ± ---	CHECKED BY ALLEN LIN	DATE 2007/10/25	MOLEX INCORPORATED		
			1 PLACE ± 0.25 ± ---	ANGULAR ± 3 °	APPROVED BY ERICK LAN	DATE 2007/10/25	DOCUMENT NO. SD-48330-001	SHEET NO. 1 OF 2	
DRAFT WHERE APPLICABLE MUST REMAIN WITHIN DIMENSIONS			MATERIAL NO. SEE SHEET 2		THIS DRAWING CONTAINS INFORMATION THAT IS PROPRIETARY TO MOLEX INCORPORATED AND SHOULD NOT BE USED WITHOUT WRITTEN PERMISSION				

7 6 5 4 3 2 1



P/N	PLATING OPTIONS	WITHSTANDING MFG TEST
48330-0001	GOLD FLASH	NO
48330-0002	15 MICROINCH	NO
48330-0003	30 MICROINCH	YES

NOTES:
 1.MATERIAL:
 HOUSING & CAP:LIQUID CRYSTAL POLYMER,GLASS FIBER FILLED,
 UL94V-0,COLOR:BLACK.
 TERMINAL:PHOSPHOR BRONZE.
 CLIP:COPPER ALLOY.
 2.PLATING:
 TERMINAL:
 CONTACT AREA:SEE TABLE
 SOLDER TAIL:MATTE TIN,THICKNESS=100 MICROINCH MIN/2.54 MICROMETER MIN.
 UNDER PLATE:NICKEL(Ni).
 CLIP:TIN(Sn),THICKNESS=100 MICROINCH MIN/2.54 MICROMETER MIN.
 3. PICK & PLACE VACUUM AREA.
 4.RECOMMENDED PCB THICKNESS:1.20±0.05mm
 5.PRODUCT SPECIFICATION REFER TO PS-48321-001
 6.TEST SUMMARY REFER TO TS-48330-001
 7.PACKAGING SPECIFICATION REFER TO PK-48330-001
 8.LEAD FREE & RoHS COMPLIANT PRODUCT.

SEE SHEET 1 EC NO: SH2009-0026 DRWN:GWANG08 CHKD:DMZHANG02 APPR:HWANG	DESCRIPTION 2008/12/23 2008/12/23 2009/01/09	QUALITY SYMBOLS	GENERAL TOLERANCES (UNLESS SPECIFIED)	DIMENSION STYLE	SCALE	DESIGN UNITS	THIRD ANGLE PROJECTION	
		▼=0 ◻=0	mm INCH 4 PLACES ± --- ± --- 3 PLACES ± --- ± --- 2 PLACES ± 0.25 ± --- 1 PLACE ± 0.25 ± --- ANGULAR ± 3 °	MM ONLY	1:1	METRIC	DRAWN BY DATE LINDA 2007/10/23 CHECKED BY DATE ALLEN LIN 2007/10/25 APPROVED BY DATE ERICK LAN 2007/10/25 MATERIAL NO.	TITLE SLIMLINE SATA RECEPTACLE REVERSE SMT WITH CLIP
		DRAFT WHERE APPLICABLE MUST REMAIN WITHIN DIMENSIONS	SEE TABLE	MOLEX INCORPORATED DOCUMENT NO. SD-48330-001	SHEET NO. 2 OF 2			
		SIZE A 4	THIS DRAWING CONTAINS INFORMATION THAT IS PROPRIETARY TO MOLEX INCORPORATED AND SHOULD NOT BE USED WITHOUT WRITTEN PERMISSION					

6 5 4 3 2 1